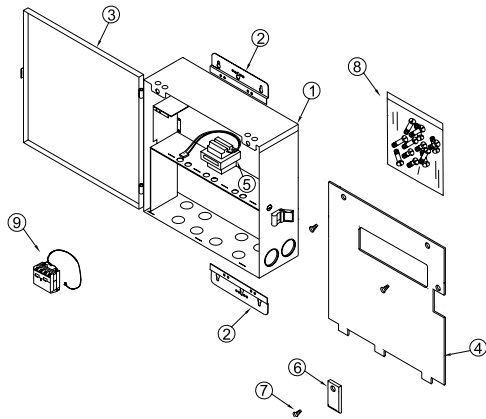


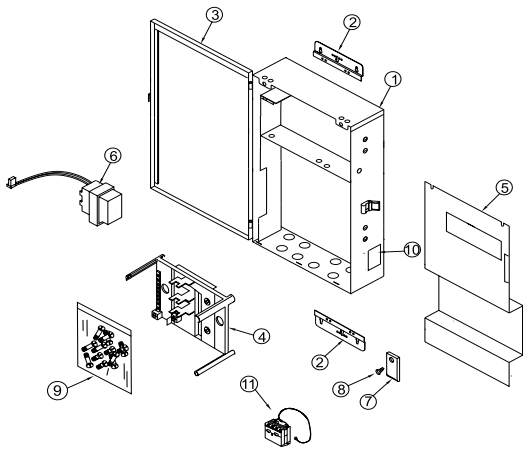
Control Parts

Power Center - Standard Enclosure



| Dwg# | Part# | Description | List Price |
|------|----------|-------------------------------------|------------|
| 1 | 6556 | Standard Enclosure, RS Power Center | N/A |
| 2 | 6567 | Mounting Brackets, RS Power Center | N/A |
| 3 | 6563 | Door, Standard Enclosure | \$95.22 |
| 4 | 6566 | Faceplate, Standard Enclosure | \$68.31 |
| 5 | 6612 | Transformer, 120 VAC/24 VAC | \$81.77 |
| 6 | 6721 | Battery Door | N/A |
| 7 | 6559 | Screw, RS Battery Door | \$0.78 |
| 8 | 6918 | Screw Set, Bezel/Relay Mount | \$13.71 |
| 9 | R0658100 | 3HP Relay with Harness | \$50.46 |

Power Center - Sub Panel Enclosure w/Breaker Mount Plate



| Dwg# | Part# | Description | List Price |
|------|----------|---------------------------------------------|------------|
| 1 | 6933 | Sub Panel Power Center, RS | \$341.55 |
| 2 | 6567 | Mounting Brackets, Power Center | N/A |
| 3 | 6931 | Door, Sub Panel Power Center, RS | N/A |
| 4 | 6929 | Breaker Mount Plate (Intermatic #124T2087A) | \$68.31 |
| 5 | 6932 | Faceplate, Sub Panel | \$68.31 |
| 6 | 6612 | Transformer, 120 VAC/24 VAC | \$81.77 |
| 7 | 6721 | Battery Door | N/A |
| 8 | 6559 | Screw, Battery Door | \$0.78 |
| 9 | 6918 | Screw Set, Bezel/Relay mount | \$13.71 |
| 10 | 6070 | GFCI Outlet (Optional) | \$71.42 |
| 11 | R0658100 | 3HP Relay with Harness | \$50.46 |

Suitable Listed Breakers (Available Locally)

| Manufacturer | CIRCUIT BREAKER | | | | | Filler Plate |
|----------------|-----------------|--------|------|------|-------|--------------|
| | Single | Double | Twin | Quad | GFCB | |
| Cutler-Hammer | BR | BR | BRD | BRD | GFCB | BRFP |
| Murray | MP-T | MP-T | MH-T | MH-T | MP-GT | LX100FP |
| Siemens | QP | QP | QT | QT | QPF | QF3 |
| Square D | HOM | HOM | HOMT | HOMT | HOM | HOMFP |
| Thomas & Betts | TB | TB | TBBD | TBBQ | GFB | FP-1C-TB |